

SL20 & SL35 SLIDING SYSTEMS

SL20 FOR DOORS UP TO 20 KG (44 LBS)

- Can be suited to all our standard profiles;
- Vertical adjustment from - 1 mm à + 5 mm;
- Installed inside the cabinet;
- Recommended for 48" or less doors;
- Has top and bottom rails.

For doors equipped with SL20 system, you have to indicate:

- The height of your doors (interior free height of the cabinet (B) - 6 mm = A, see SL20 diagram);
- The width of your doors (to completely cover free space: (free width /2 + 1/2 of the width of the chosen profile);
- The interior width of your cabinet;
- Single or double rail.



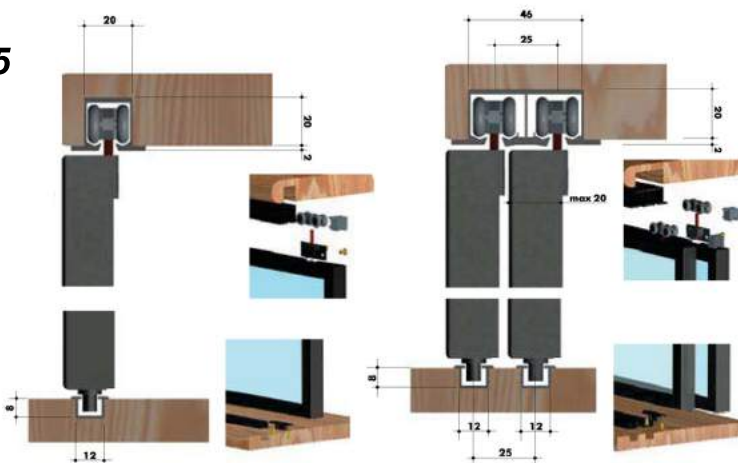
SL35 FOR DOORS UP TO 35 KG (77 LBS)

- Can be suited to all our standard profile;
- Installed inside the cabinet;
- Smooth and silen sliding system;
- Single or double rail;
- Suspended doors that slide on the top rail.
- Guide on the bottom rail.

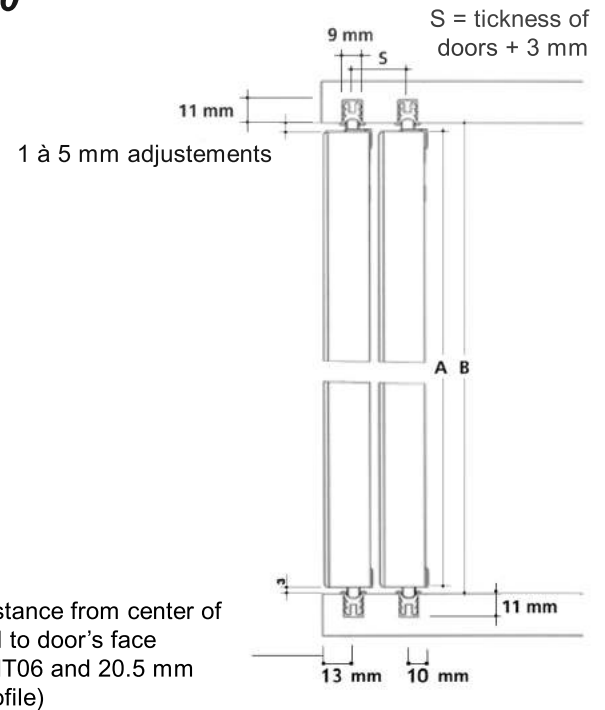
For doors equipped with SL35 system, you have to indicate:

- The height of your doors (interior free height of the cabinet (B) - 6mm = A, (see diagram SL35));
- The width of your doors (to completely cover free space: (free width /2 + 1/2 of the width of the chosen profile);
- The interior width of your cabinet;
- Single or double rail.

SL35



SL20



Distance from center of rail to door's face (INT06 and 20.5 mm profile)



DRILLINGS AND SPECIAL PROFILES

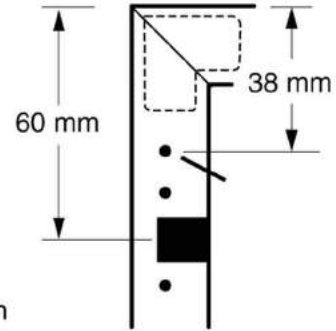
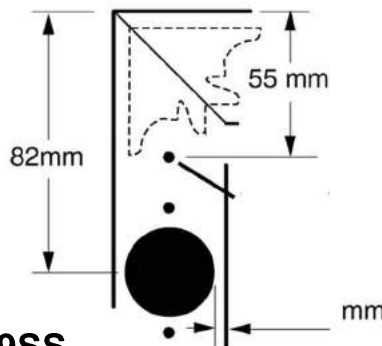
Minimal Drilling Distances

Wide and narrow profiles require different hinges. Wide profiles are drilled for European hinges by default (35 mm cup with pilot holes at 45 mm) with a 4 mm offset. Narrow profiles can be drilled for 95° or 120° hinges.



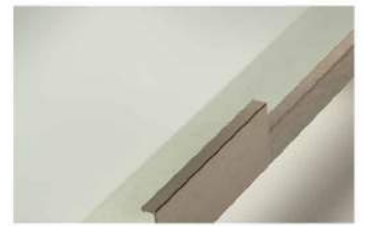
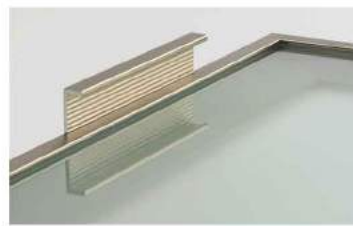
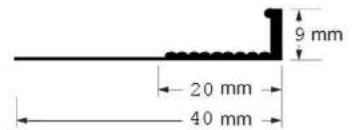
Wide Profile

Narrow Profile



Integrated Handles INT99 and INT99SS

As an option in the INT03, INT03SS, INT12, INT12SS and INT15 profiles, handle holes that need to be drilled through insertions can be replaced by integrated handles. The integrated handles are available in lengths of 3, 4, 6 and 8 inches in two finishes: anodized aluminum (AL) and stainless steel (SS).



Divider Profile INT20

The INT20 divider profile is available for INT01 and INT06 doors in anodized aluminum (AL) finish only.

